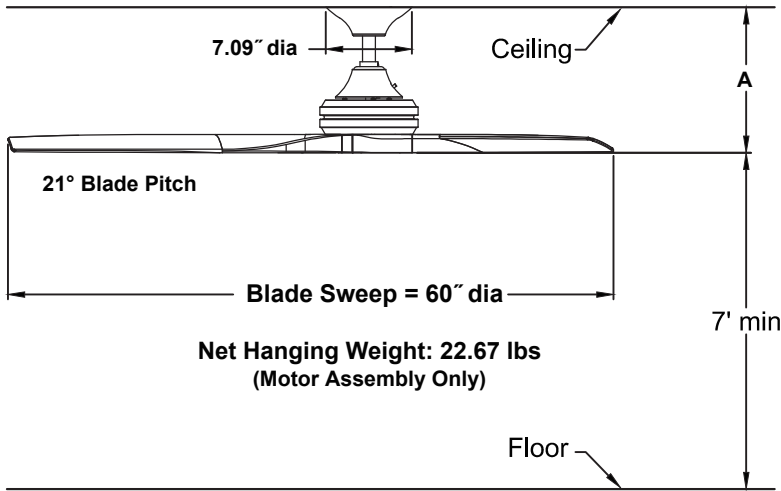


SPITFIRE™

MA6721
Ceiling Fan**



	A
Fan w/4.5" downrod	12.00"
Fan w/12" downrod	19.50"
Fan w/18" downrod	25.50"
Fan w/24" downrod	31.50"
Fan w/36" downrod	43.50"
Fan w/48" downrod	55.50"
Fan w/60" downrod	67.50"
Fan w/72" downrod	79.50"

Available Finishes	
BN	Brushed Nickel
BL	Black
BS	Brushed Satin Brass
DZ	Dark Bronze
DF	Drift wood
GR	Matte Greige
GZ	Galvanized
MW	Matte White

INSTALLATION REQUIREMENTS:

Fan must be attached to a securely anchored electrical junction box capable of withstanding a load of at least 35 lbs.

ELECTRICAL REQUIREMENTS:

Requires a grounded electrical supply line of 120 volts AC, 60 Hz, 15 amp circuit.

MOTOR SPECS:

188 x 25 AC motor is designed for optimal performance with this fan.

BLADE SET:

3 bladed blade sets are available in wood material — all sold separately. See our catalog or visit www.fanimation.com for blade options.

LIGHTING OPTIONS:

LK6721 – One 18 watt dimmable LED.

CONTROL OPTIONS:

BTT9 bluetooth hand-held remote control with wall mount is included. Push button remote control has 3 fan speeds, infinite light levels and off button. Optional CW1, CW1SW, CW2, CW5, C25 and CW60WH wall controls and CRL4WH TR24WH remote controls with receiver unit are available—sold separately. Instructions are provided with each control.

DOWNROD OPTIONS:

Fan comes with 1" dia. x 4.5" long downrod (DR1-45). Optional downrods available in 12", 18", 24", 36", 48", 60", and 72" lengths. A downrod coupler is available for installations requiring a downrod longer than 72". Fan can be mounted on a sloped ceiling up to 19°. Most sloped ceiling installations require a downrod longer than the standard 4.5" downrod. Optional sloped ceiling kits (SCK1-52) are available for up to 42°. Call technical support for more information.

LOCATION USE:

Fan is rated for dry and damp locations.

Airflow / Energy Efficiency Info (120V)					
Fan Speed	Max RPM	CFM	CFM / Watts	Amps	Watts
High	130	6641	108	0.52	61
Med	98	4614	128	0.40	36
Low	54	2433	175	0.25	14

Energy Guide FTC			
Power (Wave)	Total Air Delivery (CFMave)	Estimated Yearly Energy Cost (\$)	Ceiling Fan Efficiency (CFM/W)
41	3776	\$ 12	92