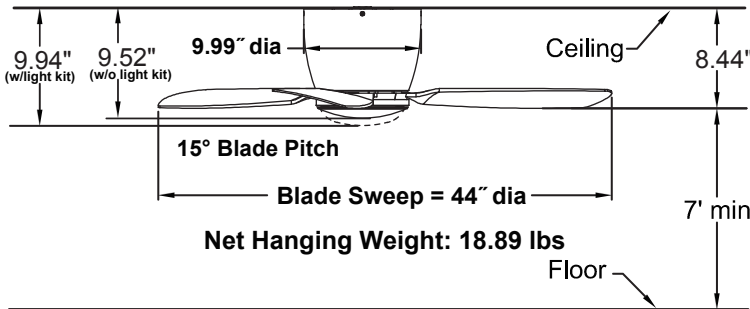
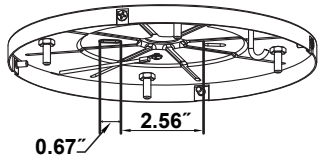




EMBRACE 44™

FPS7981
Ceiling Fan**

Ceiling Bracket
Width of the screw slot



Available Finishes	
BN	Brushed Nickel with Brushed Nickel blades and Opal Frosted Glass / Steel Cap
DZ	Dark Brone with Dark Brone blades and Opal Frosted Glass / Steel Cap
GR	Matte Greige with Matte Greige blades and Opal Frosted Glass / Steel Cap
MW	Matte White with Matte White blades and Opal Frosted Glass / Steel Cap

INSTALLATION REQUIREMENTS:

Fan must be attached to a securely anchored electrical junction box capable of withstanding a load of at least 35 lbs.

ELECTRICAL REQUIREMENTS:

Requires a grounded electrical supply line of 120 volts AC, 60 Hz, 15 amp circuit.

MOTOR SPECS:

153 x 15 motor is designed for optimal performance with this fan.

BLADE SET:

A set of three composite blades is included.

CONTROL OPTIONS:

TR20WH hand-held remote control with wall mount is included. Optional C21 wall control is available. Push button remote control has 3 fan speeds, infinite light levels, reverse and off button. Instructions are provided with each control.

LIGHTING OPTIONS:

One bulb (100-watt halogen minican bulb -included) downlight fixture is included with this fan assembly. Maximum downlight wattage not to exceed 100 watts.

LOCATION USE:

Fan is rated for dry location only.

Fan Airflow / Energy Efficiency Info (120V)					
Fan Speed	Max RPM	CFM	CFM / Watts	Amps	Watts
High	180	3855	87	0.37	45
Med	130	2842	126	0.26	23
Low	80	1718	174	0.16	10

Light Bulb Information (120V)					
Bulb Socket	Bulb Type	Watts	Lumens Amount	Color Temp	CRI
E11	minican	100	1200	2750	99%