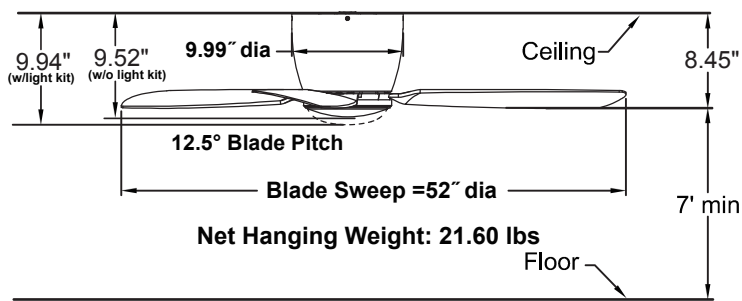
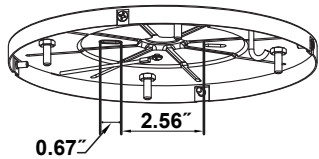


**EMBRACE™****FPS7955\*\*  
Ceiling Fan****Ceiling Bracket**

Width of the screw slot

**Available Finishes**

BN	Brushed Nickel with Brushed Nickel blades and Opal Frosted Glass / Steel Cap
DZ	Dark Brone with Dark Brone blades and Opal Frosted Glass / Steel Cap
GR	Matte Greige with Matte Greige blades and Opal Frosted Glass / Steel Cap
MW	Matte White with Matte White blades and Opal Frosted Glass / Steel Cap

**INSTALLATION REQUIREMENTS:**

Fan must be attached to a securely anchored electrical junction box capable of withstanding a load of at least 50 lbs.

**ELECTRICAL REQUIREMENTS:**

Requires a grounded electrical supply line of 120 volts AC, 60 Hz, 15 amp circuit.

**MOTOR SPECS:**

172 x 17 motor is designed for optimal performance with this fan.

**BLADE SET:**

A set of three 23" reversible composite blades is included.

**CONTROL OPTIONS:**

TR20WH hand-held remote control with wall mount is included. Optional C21 wall control is available. Push button remote control has 3 fan speeds, infinite light levels, reverse and off button. Instructions are provided with each control.

**LIGHTING OPTIONS:**

One bulb (100-watt halogen minican bulb -included) downlight fixture is included with this fan assembly. Maximum downlight wattage not to exceed 100 watts.

**LOCATION USE:**

Fan is rated for dry location only.

**52" Fan Airflow / Energy Efficiency Info (120V)**

Fan Speed	Max RPM	CFM	CFM / Watts	Amps	Watts
High	160	5509	115	0.42	48
Med	126	3844	120	0.43	32
Low	58	2063	229	0.23	9