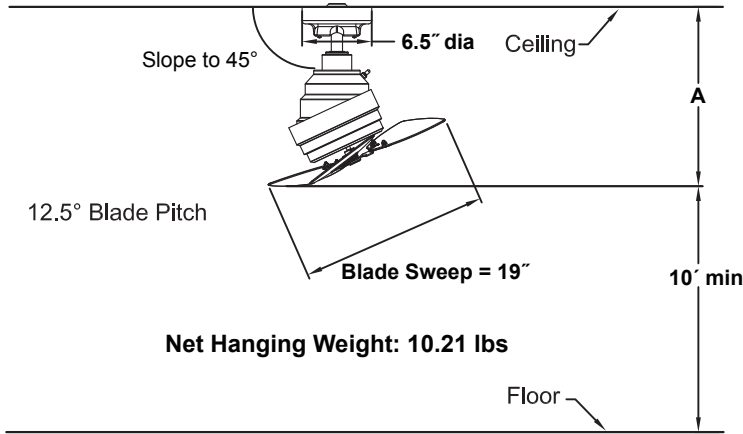


Rotation™

FP8018
Orbital Ceiling Fan**



	A
Fan w/4.5" downrod	18.04"
Fan w/12" downrod	25.54"
Fan w/18" downrod	31.54"
Fan w/24" downrod	37.54"
Fan w/36" downrod	49.54"
Fan w/48" downrod	61.54"
Fan w/60" downrod	73.54"
Fan w/72" downrod	85.54"

Available Finish	
BL	Black with Black Blade
BN	Brushed Nickel With Brushed Nickel Blade
GR	Matte Greige With Weathered Wood Blade
MW	Matte White With Matte White Blade

INSTALLATION REQUIREMENTS:

Fan must be attached to a securely anchored electrical junction box capable of withstanding a load of at least 35 lbs.

ELECTRICAL REQUIREMENTS:

Requires a grounded electrical supply line of 120 volts AC, 60 Hz, 15 amp circuit.

MOTOR SPECS:

82 x 25 AC motor is designed for optimal performance with this fan.

CONTROL OPTIONS:

CWFP8018 3-speed fan-only wall control is included. The reverse switch is located on the motor assembly.

DOWNROD OPTIONS:

Fan comes with 1" dia. x 4.5" long downrod (DR1-4.5). Optional downrods available in 12", 18", 24", 36", 48", 60", and 72" lengths. A downrod coupler is available for installations requiring a downrod longer than 72". Fan can be mounted on a sloped ceiling up to 45°. Most sloped ceiling installations require a downrod longer than the standard 4.5" downrod. Call technical support for more information.

LOCATION USE:

Fan is rated for dry and damp locations.

Airflow / Energy Efficiency Info (120V)					
Fan Speed	Max RPM	CFM	CFM / Watts	Amps	Watts
High	1093	1767	32	0.46	55
Med	824	1299	36	0.38	36
Low	571	927	43	0.29	21

Energy Guide FTC			
Power (W _{ave})	Total Air Delivery (CFM _{ave})	Estimated Yearly Energy Cost (\$)	Ceiling Fan Efficiency (CFM/W)
39	1373	11	35