

# access

L I G H T I N G

## INSTALLATION INSTRUCTIONS

### IMPORTANT

Before assembling your access lighting fixture, please make sure that you carefully read through these instruction sheets. Consider having your fixture installed by a qualified licensed electrician.

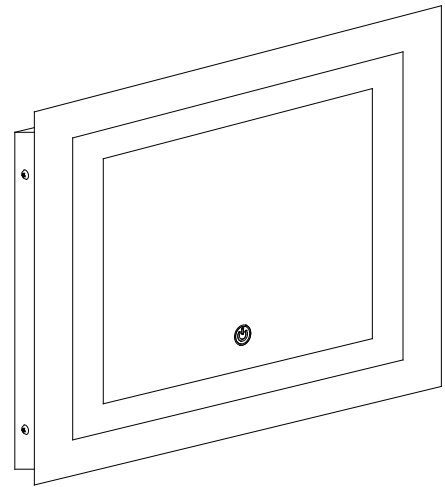
**NOTE:** The important safeguards and instructions that appear in this manual are not meant to cover all possible conditions and situations that may occur. It must be understood that common sense, caution and care, are factors that can't be built into any product. These factors must be supplied by the person(s) caring for and operating the fixture.

### GENERAL INFORMATION

All electrical connections must be in accordance with all ordinances, Local and National Electrical Codes. These fixtures are intended for mounting to a standard 4" x 2 1/2" metal octagon outlet box. The box must be directly supported by the building structure and U.L. Recognized.

### STEP BY STEP INSTRUCTIONS

Before starting your installation disconnect the Power by turning off the Circuit Breaker or by removing the fuse at the fuse box. Just turning the light off at the light switch is not sufficient to prevent electrical shock.



**COLLECTION**  
SPA

**APPLICATION**  
Wall Fixture

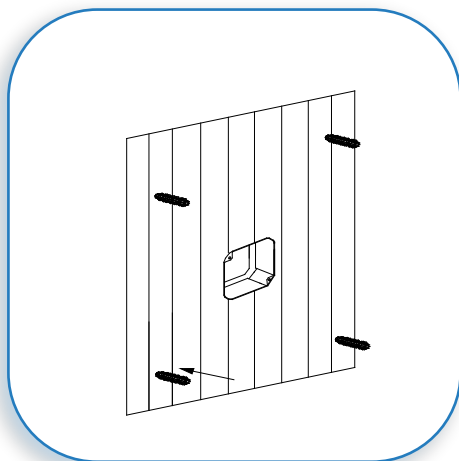
**MODEL NO.**  
70086LED

### WHAT WE PROVIDE

- Mounting Hardware
- Crossbar Backplate
- LED

### WHAT YOU NEED

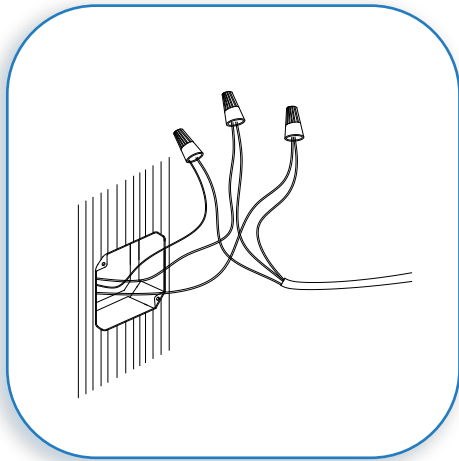
- Screwdriver
- Wire Cutters
- Wiring Supplies as Specified by Electrical Code



# 1

### PREPARE FIXTURE

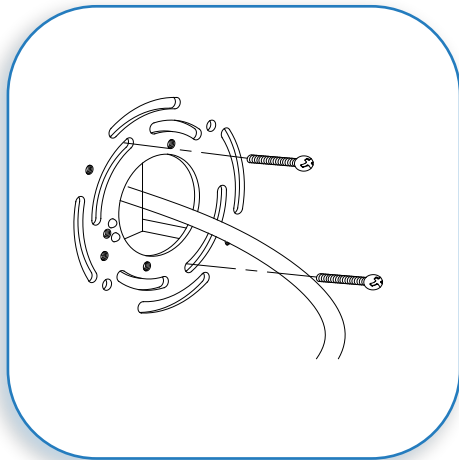
If there is an existing fixture remove it.  
Determine the desired location of the fixture.  
Hold the backplate up to the surface and mark with a pencil the location of the mounting plugs.  
Drill a hole and insert the supplied mounting plugs into the mounting surface.



2

### MAKE WIRE CONNECTIONS

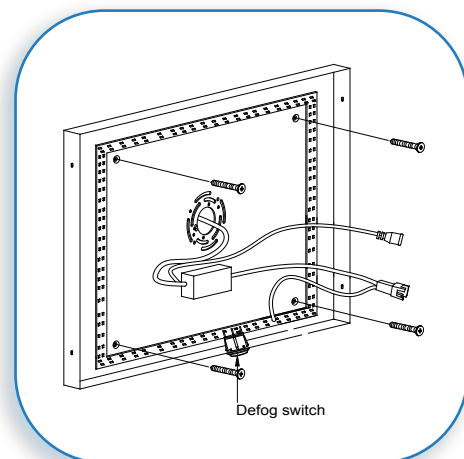
Expose the supply wire from the J-box.  
Gently pull the supply wires through the hole in the crossbar. Connect the black supply wire to the black fixture wire. Secure with the supplied wire nuts. Connect the white supply wires to the white fixture wire. Secure with the supplied wire nuts. Either wrap the green wire around one of the protruding screws or connect it to the supply ground wire. Secure all wire with electrical tape (not supplied).  
Tuck all wires carefully into the J-Box.



3

### MOUNT THE BACKPLATE INTO THE JUNCTION BOX

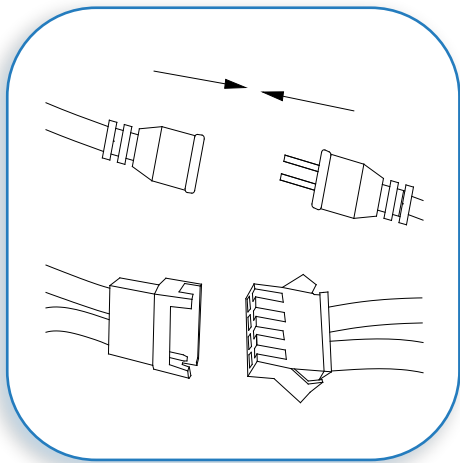
Position the backplate into the junction box.  
Align the holes of the plates and secure with the supplied screws.



4

### ADDITIONAL SUPPORT

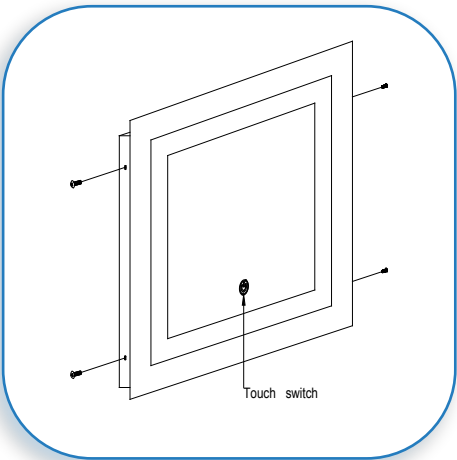
Defog switch for defog function should be positioned in mid-bottom.  
Secure the additional supplied mounting plug screws into the mounting plugs for additional support of backplate.



5

**CONNECT THE PLUGS**

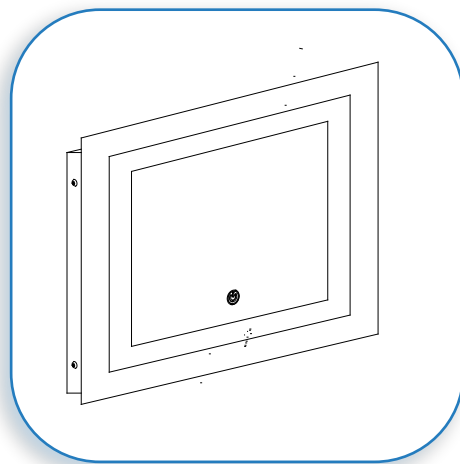
Connect each backplate wire plug to the corresponding mirror plate wire plugs.



6

**MOUNT THE MIRROR PLATE**

Position the mirror plate over the backplate.  
 Touch switch should be positioned mid-bottom.  
 Align the holes at the side of the plates  
 and secure with the supplied screws.



7

**RESTORE THE ELECTRICITY AND CHECK THE OPERATION OF YOUR NEW ACCESS FIXTURE**

**Touch switch - ON/OFF LED with dimmable function**

**Defog switch - Mirror defog (position under the mirror)**

## IMPORTANT SAFETY INSTRUCTIONS

When using an electrical furnishing, basic precautions should always be followed, including the following:

Read all instructions before using (this furnishing).

**DANGER** – To reduce the risk of electric shock:

Always unplug this furnishing from the electrical outlet before cleaning.

**WARNING** – To reduce the risk of burns, fire, electric shock, or injury to persons:

1. Unplug from outlet before putting on or taking off parts.
2. Close supervision is necessary when this furnishing is used by, or near children, invalids, or disabled persons.
3. Use this furnishing only for its intended use as described in these instructions. Do not use attachments not recommended by the manufacturer.
4. Never operate this furnishing if it has a damaged cord or plug, if it is not working properly, if it has been dropped or damaged, or dropped into water. Return the furnishing to a service center for examination and repair.
5. Keep the cord away from heated surfaces.
6. Never operate the furnishing with the air openings blocked. Keep the air openings free of lint, hair, and the like.
7. Never drop or insert any object into any opening.
8. Do not use outdoors.
9. Do not operate where aerosol (spray) products are being used or where oxygen is being administered.

## SAVE THESE INSTRUCTIONS