

**SAFETY INFORMATION**

Released Date: 2024-09-26

Please read and understand this entire manual before attempting to assemble, install or operate the product.

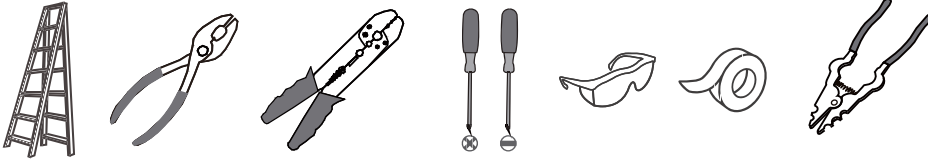
**WARNING**

- RISK OF ELECTRIC SHOCK - Before beginning installation, turn off electricity at the circuit breaker box or the main fuse box.
- RISK OF FIRE - Use bulbs specified by the markings and/or labels on the fixture.

**CAUTION**

- For your safety, read instructions completely before beginning installation.
- If in doubt about electrical installation, consult a licensed electrician.
- Turn off electricity to fixture before replacing the bulb(s).

**TOOLS REQUIRED**



**CARE AND MAINTENANCE**

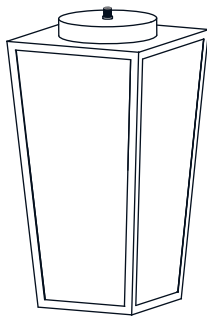
- Wipe clean using soft, dry cloth or static duster. Always avoid using harsh chemicals and abrasives to clean fixture as they may damage the finish.

If you need further assistance call Quoizel Customer Care at 1-800-645-3184(9:00am - 5:00pm EST), or visit us on-line at [www.quoizel.com](http://www.quoizel.com)

**PACKAGE CONTENTS**



**A** Fixture Loop  
X 1

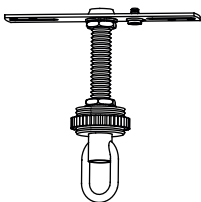


**B** Fixture Body  
X 1



**C** Glass Shade  
X 1

**MOUNTING HARDWARE**



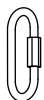
**AA** Crossbar Assembly  
X 1



**BB** Wire Connector  
X 3



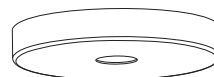
**CC** Outlet Box Screw  
X 2



**DD** Quick Link  
X 2



**EE** Fixture Chain  
X 1



**FF** Ceiling Canopy  
X 1

# INSTALLATION

**1 Install Fixture Loop**

A diagram showing a wire with a loop being inserted into the top of a rectangular, tapered fixture housing. A circular arrow indicates the rotation of the wire to secure the loop.

**2 Install Crossbar Assembly**

A diagram showing the assembly of the crossbar. On the left, a crossbar with a loop is shown being inserted into an outlet box. On the right, the crossbar is shown being secured to the outlet box. A 'Canopy Lock Ring' is shown being attached to the bottom of the crossbar assembly. Labels include 'Outlet Box' and 'Canopy Lock Ring'.

**3 Install Fixture Chain**

A diagram showing the installation of the fixture chain. A pair of pliers is shown adjusting a link in the chain. The chain is then attached to the crossbar assembly. A 'Ceiling Canopy' is shown being attached to the chain. Labels include 'Ceiling Canopy' and 'Canopy Lock Ring'.

**OPTIONAL:** Adjust Chain as desired, using pliers and soft cloth (neither included).

\* Ceiling Canopy shape is varies depends on item purchased.

Suggested chain length for Ceiling height:  
 8 feet ceiling: use 11 links of chain and 2 quick links  
 9 feet ceiling: use 21 links of chain and 2 quick links  
 10 feet ceiling: use 31 links of chain and 2 quick links.

**4 Pull Supply Wires**

A diagram showing the supply wires being pulled through the chain links. The wires are shown entering the fixture housing from the top and passing through the chain links. Text reads: 'Pull the supply wires with ground wire through the chain alternate links.'

**5 Wiring**

A diagram showing the wiring connections. It identifies the following wires:  
 - White wire from supply (connected to the ribbed side of the fixture wire labeled 'N')  
 - Black (or red) wire from supply (connected to the smooth side of the fixture wire labeled 'L')  
 - Ground wire from supply (connected to the green ground wire from the fixture labeled 'G')

**6 Install Ceiling Canopy**

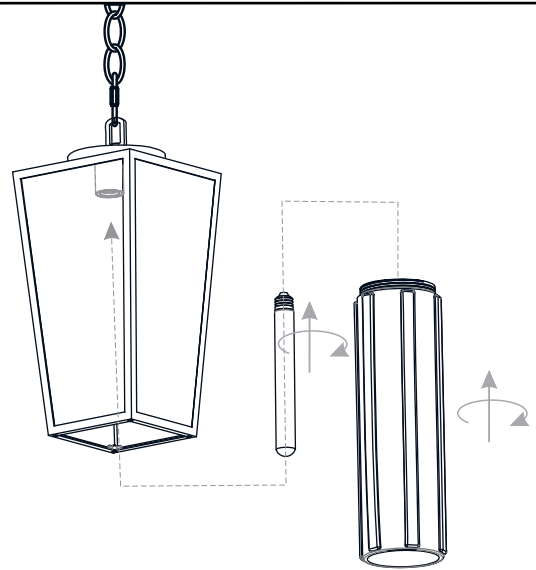
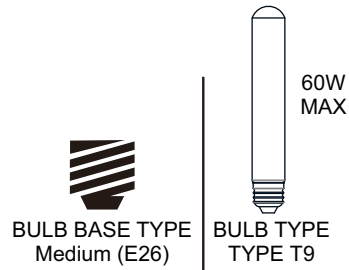
A diagram showing the ceiling canopy being installed. The canopy is shown being attached to the chain. Text reads: '\* Ceiling Canopy shape is varies depends on item purchased.'

## INSTALLATION

### 7 Install Bulb and Glass Shade

Install one correct bulb referring to fixture markings and/or labels for maximum wattage.

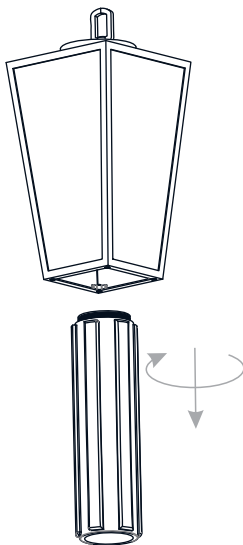
**Recommended Bulb Type (not Included):**



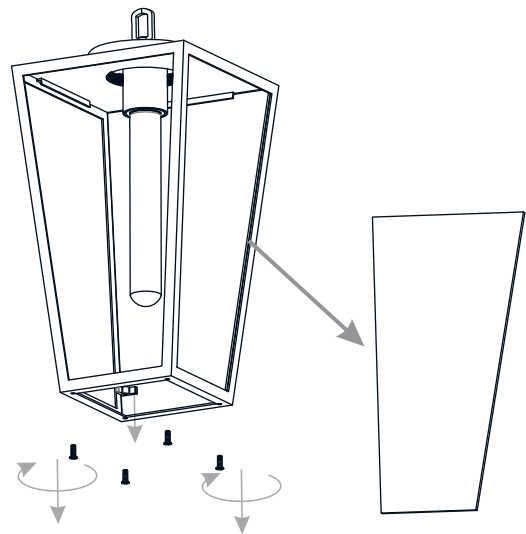
Your installation is now complete! Restore electricity and save this sheet for future reference.

## HOW TO REPLACE GLASS PANEL

### 1 Remove Glass Shade



### 2 Remove Glass Panel



Reverse above steps to reinstall the replacement Glass panels onto fixture.