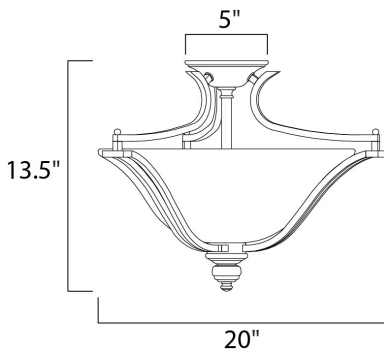




PRODUCT DESCRIPTION

The classic design of the Madera collection is a perfect marriage of style and value. The square metal tube frame available in either Oil-Rubbed Bronze with Wilshire glass or Satin Silver with Ice glass affords the luxury of options for any style of home.



MEASUREMENTS

DIMENSION : 20." W x 13.5" H
 CANOPY : 5." W x 1.5" H x 5." L
 HANGING WEIGHT : 6.6 lb

LAMPING

INPUT VOLTAGE : 120V
 LUMENS : 3,450 Rated (0 Del.)
 BULB : 3 x 60W (NOT INCLUDED), 180W Total
 DIMMABLE : Dimmable

FINISHES OPTION

Satin Silver SS



GLASS

Ice IC

MATERIAL

Steel + Acid Etched Glass

RATINGS

cETLusDry Location
 Dimmable



ADDITIONAL

INSTALL UP/DOWN:
 RATED LIFE 2500 Hours
 OPERATING TEMPERATURE:
 -20°C (-4°F), 40°C (104°F)

Always consult a qualified electrician before installing any lighting product.



WESTERN DISTRIBUTION CENTER (HEADQUARTER)
 253 NORTH VINELAND AVE | CITY OF INDUSTRY, CA 91746
EASTERN DISTRIBUTION CENTER
 4200 SHIRLEY DR. | ATLANTA, GA 30336
 P. 626.956.4200 | F. 626.956.4225 | maximlighting.com