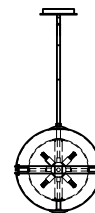




Assembly & Installation Instructions for: 509751



Customer Service: (702) 361-4345, (800) 525-2655, customer.services@kalco.com

WARNING - TO REDUCE THE RISK OF FIRE OR INJURY:

- 1.If you are unfamiliar with electrical wiring, call a qualified electrician to install this unit. More than one person may be necessary to install this fixture, make sure you have enough qualified help.
- 2.Turn off the power to the fixture's circuit at the service panel. Use a voltage detector to verify that the power is off.
- 3.DO NOT install bulb exceeding the maximum wattage specified on the socket label.

Fixture Assembly:

Step 1. Determine the height of fixture observing following measurements:

Fixture forms a 15" height Globe.
 (See Image-A1 on bottom right)
 Fixture comes with one 6", 12" and 24" long stems
 Canopy height including swivel is 2 1/2"

Step 2. Install the LED G9 Bulbs provided.

Step 3. Assemble part#11 to top of part#13 and part#18 to bottom of part#13, then install inner frosted glass part#12 and align glass with parts#10 on top and part#19 on the bottom, then secure the sides with parts# 17, 16, 15 and 14.

Step 4. At this point make sure the two frosted glass #12 are sitting properly on Metal Bracket #11 and #18, if not make adjustments screwing-unscrewing Stoppers #25 as needed.

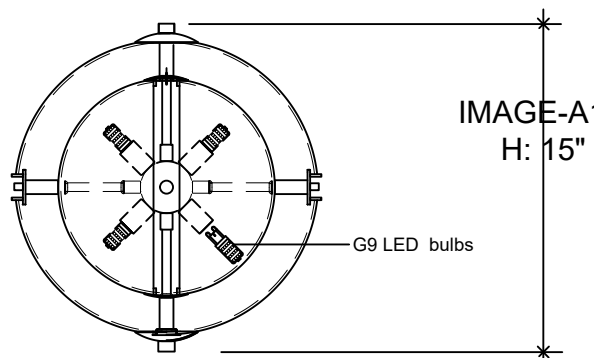
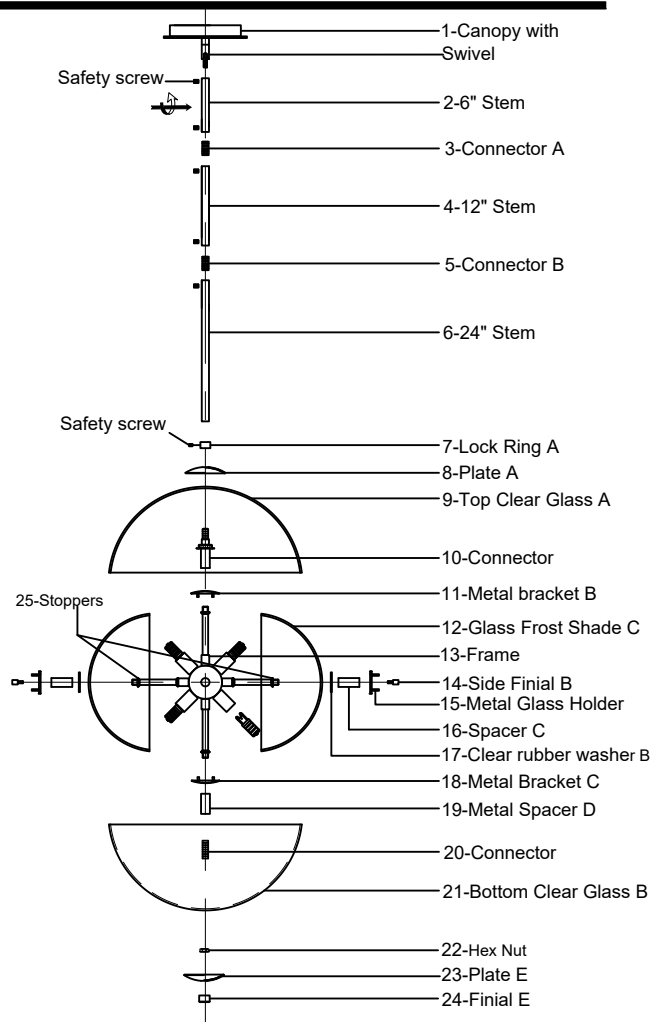
Step 5. Install Metal Glass Holder #15 make sure the tabs are in an up and down position as shown in diagram then tighten with Side Finial #14

Step 6. Install #9 Top Clear Glass A and secure with by screwing one of the 3 stems #2, 4 or 6. Then slide part #8 and lock with part#7.

Step 7. Screw in part# 20 to part#19, then install bottom clear glass #21 and secure it with parts #22, 23 and 24.

Step 8. Connect the rest of the stems on top of part# 13 according to desired height part #6, #5, #4, #3, #2 and #1

Proceed to fixture installation on page 2.





Assembly & Installation Instructions for: 509751

Customer Service: (702) 361-4345, (800) 525-2655, customer.services@kalco.com

Fixture Installation:

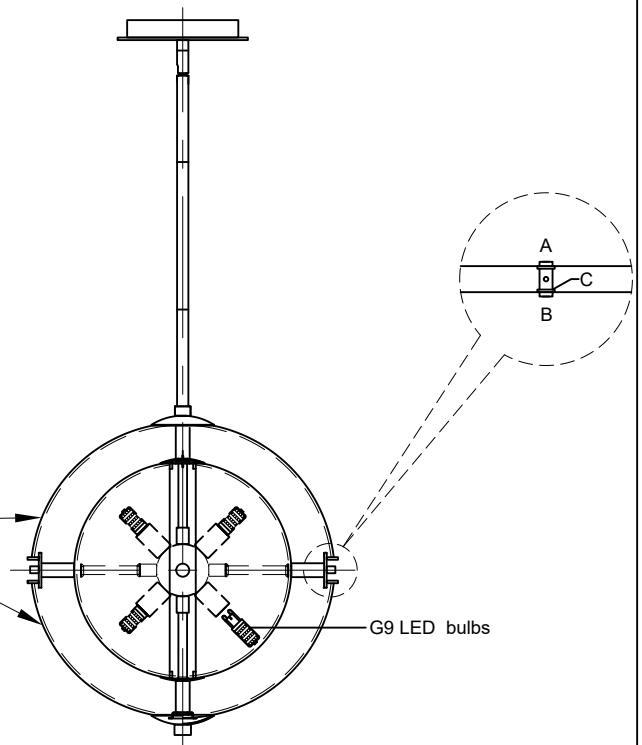
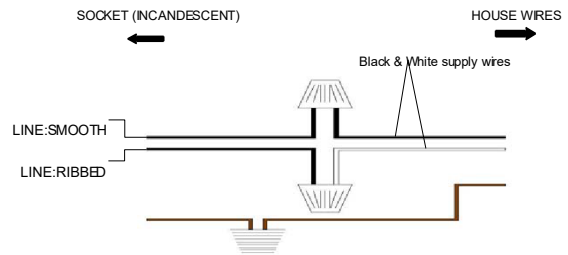
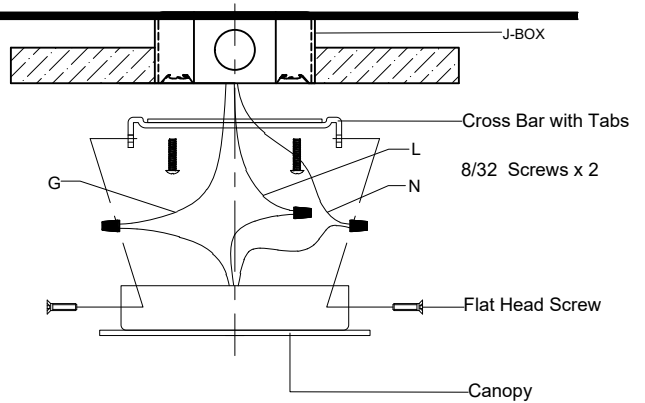
Step 9. Install Cross Bar to J-Box using the 8/32 screws, then rise fixture up close enough to make wire connections. While an extra set of hands holds fixture make wire connections as follows:

Step 10. Refer to wiring diagram: Splice the ribbed side of fixture cord and connect to the white power supply wire, then splice the smooth side of the fixture cord and connect to power supply black wire.

Step 11. Connect fixture bare thin or copper wire to ground/green wire in outlet box. Secure all wire connections with wire nuts, electrician's black tape or as stated by your local electrical code.

Step 12. Carefully tuck all wires inside J-Box and raise canopy flat to ceiling, align canopy side holes to cross bar holes and secure with the flat head screws.

Step 13. Turn lights on. Clean with a damp cotton cloth. Enjoy your light fixture for many years to come!



IMPORTANT!
 (Install top Clear Glass and Bottom Clear Glass following the labels marks (A) for top and (B) for bottom)